

Thaisun Solar Module

TSG60

280P/275P/270P/265P/260P

12
YEAR
WARRANTY

CHUBB
INSURANCE
ENDORSED



Thaisun Green Energy Co., Ltd.

Thaisun is a world-leading manufacturer of high-performance PV Products that convert sunlight into electricity for residential, commercial and utility-scale power generation. The factory is based in Thailand with the capacity of 200MW for the solar cell and solar module. The PV products are approved by worldly certificate as UL, ETL, CEC, TUV, IEC, ROHS, MCS.

We set up a global rapid reaction mechanism and global quality tracking system. As a brand committed to the responsibility of "Sustainable Energy, Aspirational Life", we offer advanced, reliable, safer and cost-effective range of the PV products which are engineered to meet the world's growing energy demands. Thaisun is the most trustworthy long-term partner in the PV industry.



High Performance & Excellent Reliability



High Light Transmission Rate

Thaisun adopts highly transparent, anti-reflective, low iron tempered glass for the solar modules to reach high light transmission rate.



Durability

Durable PV modules, independently tested for harsh environmental conditions such as exposure to salt mist, ammonia and known PID risk factors. Withstand high wind loads and snow loads (5400Pa).



PID Free

Tested and approved according to the international standard IEC62804. Thaisun PV modules have demonstrated resistance against PID (Potential Induced Degradation), which translates to security for your investment.

World-class Quality

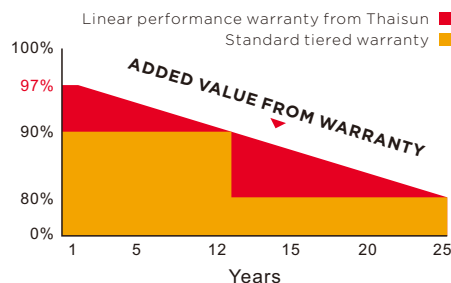
Fully-automated production lines and seamless monitoring of the process and material ensure the quality that the company sets as its benchmark for its sites worldwide.

Thaisun Plus-Sorting

Plus-sorting guarantees highest solar module efficiency. Thaisun only delivers solar modules with positive tolerance up to 3%.

Module Fire Safety Class Approval

25-year linear performance warranty, and 12-year warranty on raw materials and workmanship



www.thaisunpv.com

Thaisun 60 Cell Polycrystalline Series

ELECTRICAL CHARACTERISTICS

Characteristics	TSG60-280P	TSG60-275P	TSG60-270P	TSG60-265P	TSG60-260P
Max.Power (Pmax)	280Wp	275Wp	270Wp	265Wp	260Wp
Optimum Operating Voltage (Vm)	31.41V	31.22V	31.08V	30.92V	30.73V
Optimum Operating Current (Im)	8.92A	8.81A	8.69A	8.58A	8.47A
Open-circuit Voltage (Voc)	38.45V	38.37V	38.26V	38.15V	37.90V
Short-circuit Current (Isc)	9.40A	9.31A	9.22A	9.10A	9.01A
Cell Efficiency	19.18%	18.83%	18.49%	18.15%	17.81%
Module Efficiency	17.21%	16.90%	16.60%	16.29%	15.98%

*STC (Standard Test Condition): Irradiance 1000W/m², Module Temperature 25°C, AM=1.5.

*NOCT: Irradiance 800W/m², ambient Temperature 20°C, wind speed 1m/s.

THERMAL CHARACTERISTICS

NOCT	47°C ± 2°C
Temperature Coefficient of Isc	+0.046%/K
Temperature Coefficient of Voc	-0.303%/K
Temperature Coefficient of Pmax	-0.41%/K

OPERATING CONDITIONS

Max. System Voltage	1000V _{DC}
Max. Series Fuse Rating	15A
Limiting Reverse Current	15A
Operating Temperature Range	-40 - 85°C
Max. Snow Load, Front *	5400Pa
Max. Wind Load, Back *	2400Pa
Max. Hailstone Impact (diameter/velocity)	25mm / 23m/s

CONSTRUCTION MATERIALS

Front and Back Cover (material/thickness)	Low-iron tempered glass/3.2mm
Cell (quantity/material/dimensions/number of busbar)	60/polycrystalline silicon/156mmx156mm/4
Frame	Anodized aluminum alloy
Junction Box (protection degree)	≥IP67
Cable (length/cross-sectional area)	95cm±5/4mm ²
Plug connector (type/protection degree)	MC4 compatible/IP67

- Due to continuous innovation, research and product improvement, the specifications in this product information sheet are subject to change without prior notice. The specifications may deviate slightly and are not guaranteed.
- The data do not refer to a single module and they are not part of the offer, they only serve for comparison to different module types.



Warning: Read the Installation and User manual in its entirety before handling, installing, and operating Thaisun Solar modules.

Our Partners:

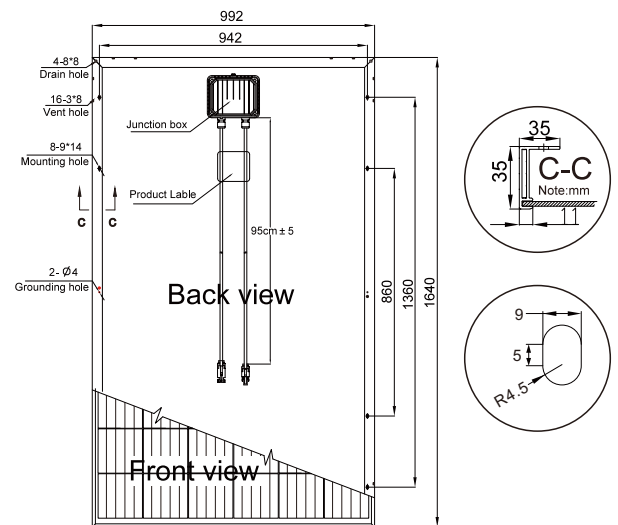
GENERAL CHARACTERISTICS

Dimensions (L/W/H)	1640mm/992mm/35mm
Weight	18.80kg

PACKAGING SPECIFICATIONS

Number of Modules Per Pallet	29
Load Capacity	394 pcs/20'GP
	924 pcs/40'HQ
40'HQ Packaging Pallets Dimensions (L/W/H)	1700mm/1130mm/1130mm
Pallet Weight	575kg

Unit: mm



221/3 Moo 6, Tambol Bueng, Amphur Sriracha, Chonburi Province, Thailand.

Tel: +66 (0) 38196001 Fax: +66 (0) 38196002

E-mail: sales@thaisunpv.com